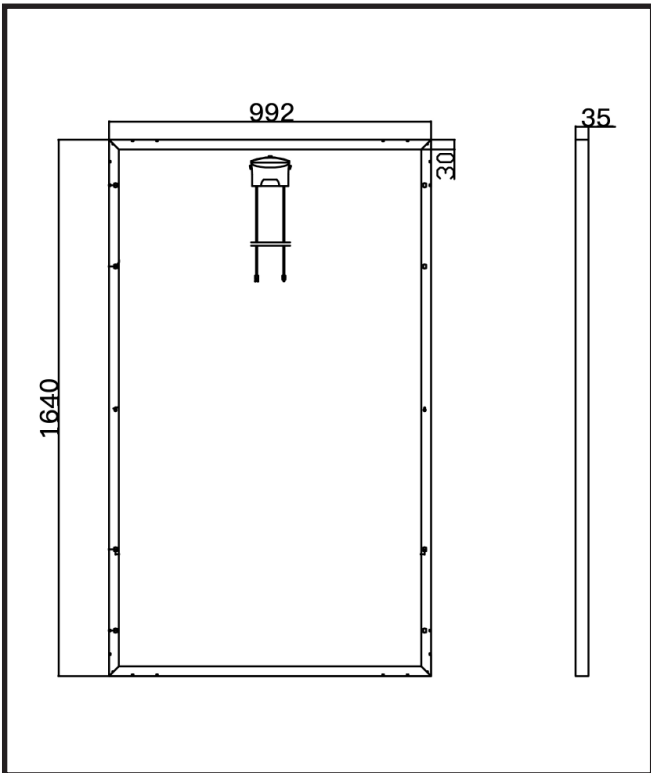
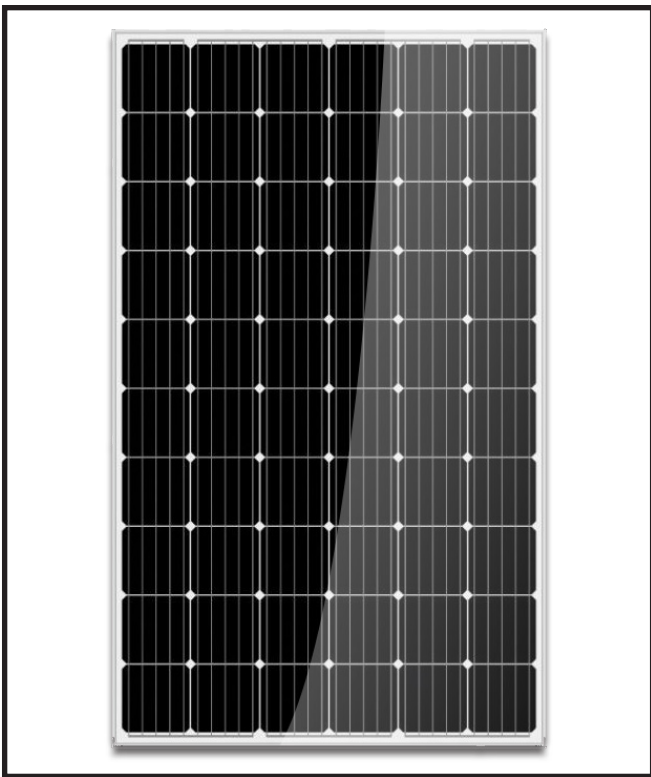


# PERC 5BB Mono Solar Panel

## SolarLine 60 Cells, 300W

Soluciones Inteligentes en Energía Solar®



### The main features



#### Power and tolerance

0~+3W positive power tolerance guarantee



#### Resistance to the PID

Harsh conditions for 96 hours testing qualified (@ 85 °C / 85%). For special severity Installation environment, can meet higher standards



#### Stronger surface resistance to mechanical loads

It has passed the certification of 6000Pa snow load and 3600Pa wind load



#### High reliability and weather resistance

Through dust, salt fog, ammonia corrosion test, can effectively deal with the harsh environment



#### The hail test

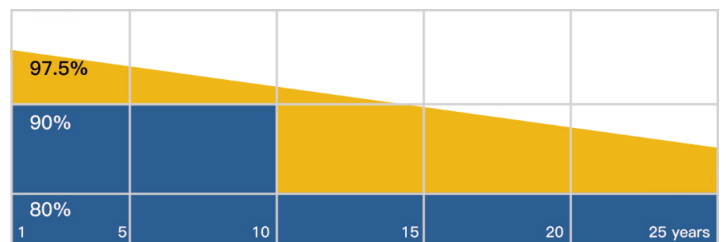
It passed the hail test with a diameter of 45mm and a speed of 30.7m/s



#### Lower temperature coefficient

Better temperature coefficient makes the power attenuation less at high temperature

### Best quality assurance



Shine Solar linear power output warranty

Industry quality assurance

12 years of product material and process quality assurance

25 years linear power output warranty



### Monocrystalline 300W

MODEL	SN-PERCM300W
Maximum Power/Pmax(Wp)	300
Optimum Operating Voltage/Vmp(V)	32.44
Optimum Operating Current/Imp(A)	9.25
Open Circuit Voltage/Voc(V)	39.74
Short Circuit Current/Isc(A)	10.13
Cell Efficiency	20.54%
Module Efficiency	18.44%
Power Tolerance	0~+3W
Maximum Series Fuse Rating(A)	15A
Maximum System Voltage	1000VDC

### Maximum Data

Operating Module Temperature	-40°C to +80°C	°C
Storage Temperature	From -40°C to +80°C	°C
Insulation Cut Voltage	1000	DC
Maximum Wind Resistance	60m/s	N/m <sup>2</sup> or max KM/h
Surface Maximum Load Capacity	200	Kg/m <sup>2</sup>
Maximum Hail Load Capacity	5mm	80km/h

### Mechanical Characteristics

Number of cells	60(10*6)
Cell Dimension(mm)	156.75*156.75
Dimension(mm)	1640*992*35
Weight(Kg)	18.4
Frame Material	Clear anodized aluminium frame
Thickness of Glass	3.2mm tempered glass
Frame	Anodized aluminum alloy
Laminating Material	EVA (Light transmittance more than 92%)
Backsheet Material	TPT (High weather resistance)
Junction Box	Ip65 (1500V system voltage available)
Output cable	90cm 2x4.0mm <sup>2</sup> MC4 connector
Bus Bar	5BB 6BB

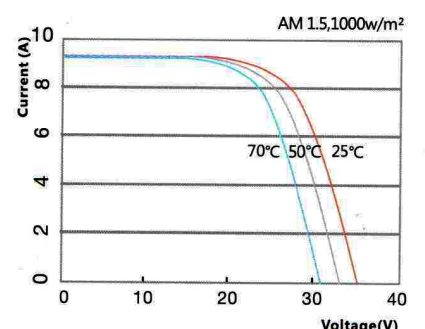
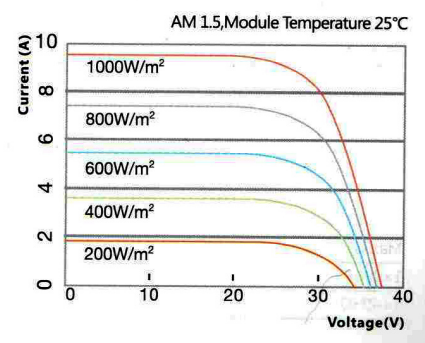
### STC

AM Condition	AM1.5
Irradiance conditions	1000W/m <sup>2</sup>
Temperature Cell	25°C

### Temperature Characteristics

Nominal Operating Cell Temperature(NOTC)	45±2°C
Temperature Coefficient of Pmax	-0.37%/°C
Temperature Coefficient of Voc	-0.29%/°C
Temperature Coefficient of Isc	-0.048%/°C

### I-V Curve



### Packing Configuration

Container	20'GP	40'HQ
Pieces per container	350	850

**SolarLine**  
Soluciones Inteligentes en Energía Solar®